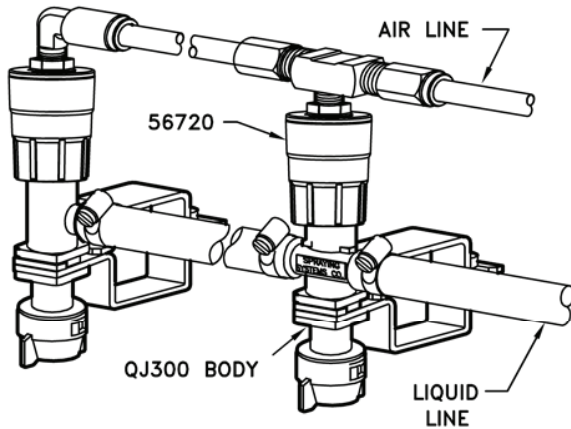
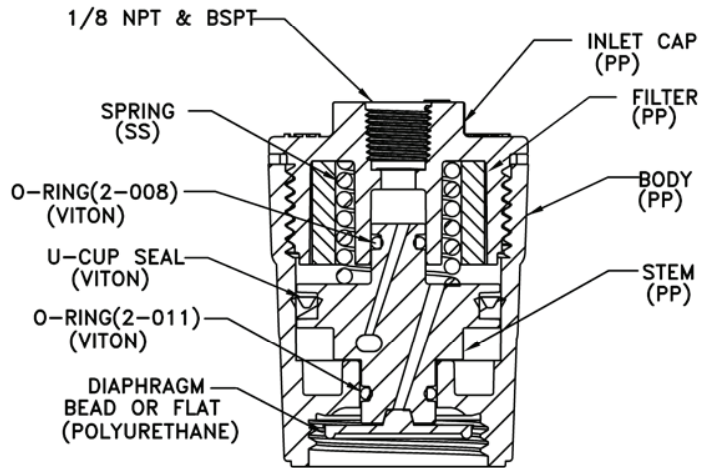
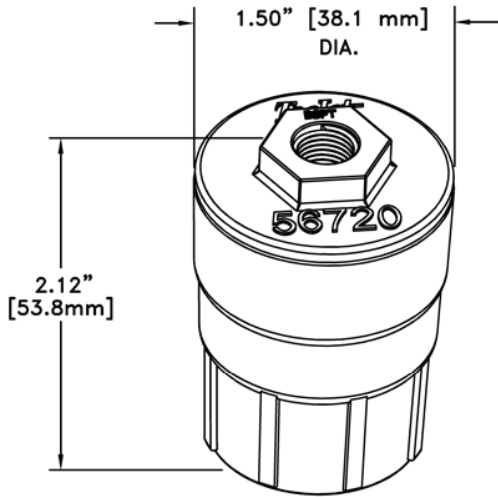


THE 56720 AIR CHEMSAVER IS DESIGNED AS A PNEUMATIC SHUT-OFF VALVE FOR USE ON QUICK TEEJET NOZZLE ASSEMBLIES. AIR PRESSURE IS USED TO OPEN THE VALVE AND A SPRING IS USED TO CLOSE THE VALVE.



TYPICAL NOZZLE BODY ASSEMBLY

PNEUMATIC LINE

- MINIMUM 55 PSI (3.75 Bar) OPENING AIR PRESSURE.
- 0.015 CF/CYCLE (.007 L/CYCLE) AIR CONSUMPTION PER 56720 VALVE.
- 56720 REPLACES DIAPHRAGM AND CHECK VALVE END CAP ASSEMBLY.
- 56720 VALVE IS NORMALLY CLOSED.

SYSTEM FLUID

- MAXIMUM 115 PSI (8 Bar) LIQUID PRESSURE.
- MUST BE COMPATIBLE WITH VITON, POLYPROPYLENE AND POLYURETHANE.
- (B)56720-1/8-B FOR NOZZLE BODIES USING NEW 2 PIECE DCV
- (B)56720-1/8-F FOR NOZZLE BODIES USING ONE 2 PIECE DCV

DESCRIPTION:

56720-1/8-__ & B56720-1/8-__
DIAPHRAGM TYPE AIR CHEMSAVER®
SHUT-OFF VALVE
(NPT & BSPT CONNECTION)



Spraying Systems Co.®

Spray Nozzles and Accessories
P.O. Box 7900 - Wheaton, Il. 60189-7900

Rev. No. 1

Ref.

DATA SHEET

56720

SHEET OF