

*Handiwash*

**Operating + Installation Instructions**

# Introduction to Handiwash system

Hot and cold water at any location is now an affordable reality.

All Safety Products Inc are proud to announce what is undoubtedly the most compact, easy to install and technologically advanced mobile handwash unit.

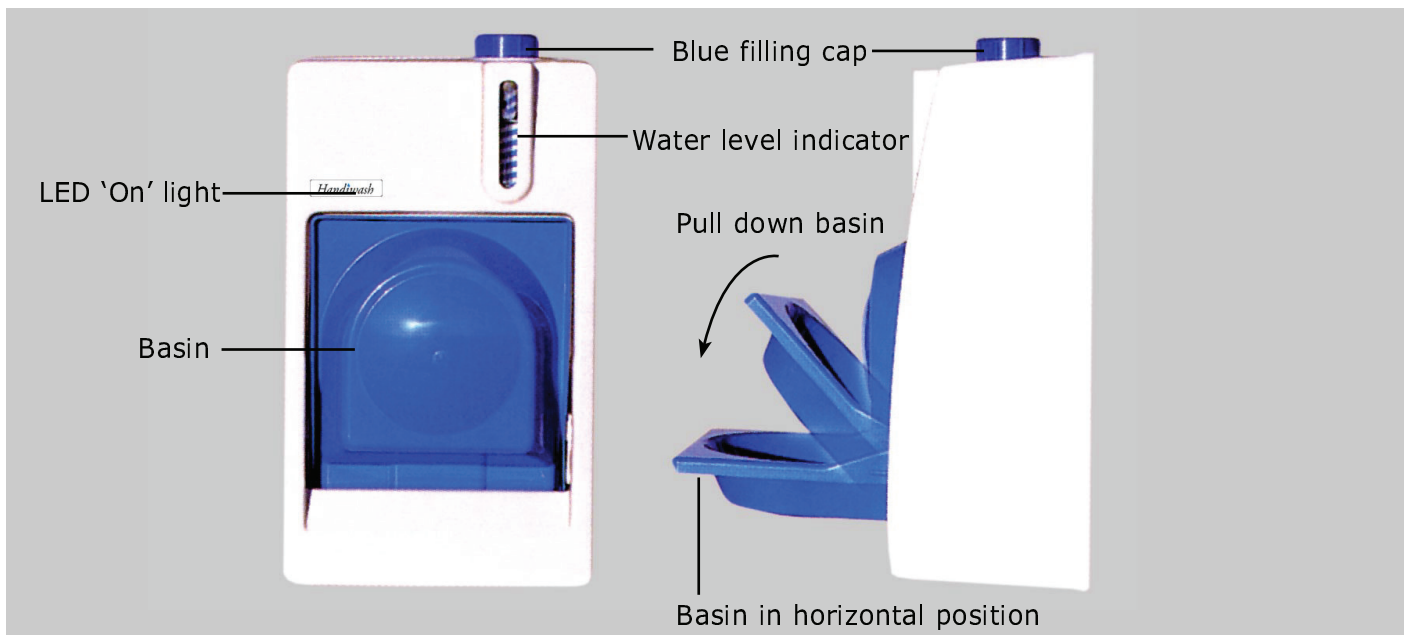
For anyone whose work brings them into contact with hazardous substances, or unhygienic conditions, it should be considered a necessity. Extensively used by major companies & utilities, Kinetics Engineering Handiwash Units can assist you in meeting occupational health and safety requirements.



The Handiwash offers the greatest capacity of water (2.2 US Gallons) and most rapid heating up period, combined with the lowest power consumption of any electric handwash system available in the market to date.

The high impact plastic housing incorporates a water level indicator, quality hot and cold mixing taps and a fixed fold down basin.

# Handiwash Operating Instructions



**Note: On initial installation the Handiwash unit is supplied with the hot tap already opened.**

- 1) Unscrew blue filling cap on top of the unit and fill the unit with clean fresh water until water level indicator shows "full".
- 2) Pull down basin to the horizontal position.
- 3) Open hot water tap until a small quantity of water starts to flow. Close tap.
- 4) Fold up basin to storage position.
- 5) Switch on unit (in some instances you may have to run the engine before the unit will operate).

The red LED (12v) will illuminate showing unit is operational (white LED denotes 24v)

It will take approx. 22 minutes before the temperature of the water is reached, a self regulating thermostat will automatically switch off when the temperature of the water reaches 120°F.

- 6) When hot water is required, pull down the basin and open hot tap, mix with cold water as required by opening cold tap.

- 7) To discard excess water simply fold basin back to storage position which will then drain the foul water automatically into the water collection tank (if installed).



## Important

- ① The Handiwash unit is supplied with with the hot tap already opened. Before the Handiwash unit is connected to the power supply, the unit must be filled with water and the hot water tap partially opened, close tap after water begins to flow, this ensures air is not trapped i the system.This operation is only required on the initial installation. Failure to carry out this operatio can result in the unit going into an 'Overheat' mode. Please refer to TROUBLE SHOOTING guide at the end of the instructions should this occur.

# Handiwash Installation Instructions



<b>Technical Specification:</b>	
Dimensions:	width 11.82in height 20.47in depth 9.05in, 15.94in with basin down
Voltage:	12v System - 9.6 Amps at 12 Volt DC 24v System - 7 Amps at 24 Volt DC
Water Capacity:	2.2 US Gallons
Water Temperature:	120°F Max time to raise water temperature approx. 22 minutes
Weight:	12.12 lbs Empty 30.86 lbs Full

## General

The units are supplied in either 12 volt or 24 volt configuration. The cartons are marked on the end externally to designate which voltage the unit is.

In addition to this the following differences between the voltages are as follows:

- The 12 volt version will have a red LED. The 24 volt unit will have a clear LED indicator light on the front cover. The indicator light is on when the Handiwash unit is heating up and switches off when the water temperature has been achieved.
- With the front cover removed, the 24 volt unit will have a 0.98in round red decal mounted on the front of the insulation.

## Mounting of the unit (See Fig N°4 for mounting dimensions)

The parts shown in Fig 1 are supplied to install the Handiwash unit. The front cover should first be removed by taking off the filler cap and the 2 off retaining screws on the bottom of the unit. By flipping the basin downward, the cover can be easily removed. The mounting bracket (item 14) should be secured in the required position using the 3 off M6x16 screws (item 20) and M6 lock nuts (item 22) supplied.

Once the bracket is secured in the required position, hook the unit onto the bracket. Fasten the unit at the base by using the 2 off M6x25 (item 21) screws and lock nuts, bolting through the back panel and the mounting surface. These screw prevent the unit from moving off the bracket. Refit the front cover, ensuring that the 2 way electrical plug to the LED light is connected. Refit 2 off retaining screws to base of front cover. The drain hose (item 11) should be attached to the spigot at the base of the unit by hose clamp (item 12). The other end should be terminated to a suitable position outside the vehicle.

<b>Parts supplied with Handiwash unit:</b>			
Item N°	Pt. N°	Qty	Description
11	16346	1	Drain Hose
12	16347	3	Hose Clamp
14	16349	1	Mounting Bracket
20	190024	3	Screw M6x16
21	19331	2	Screw M6x25
22	19533	5	Nut M6 Nyloc

# Wiring of the unit

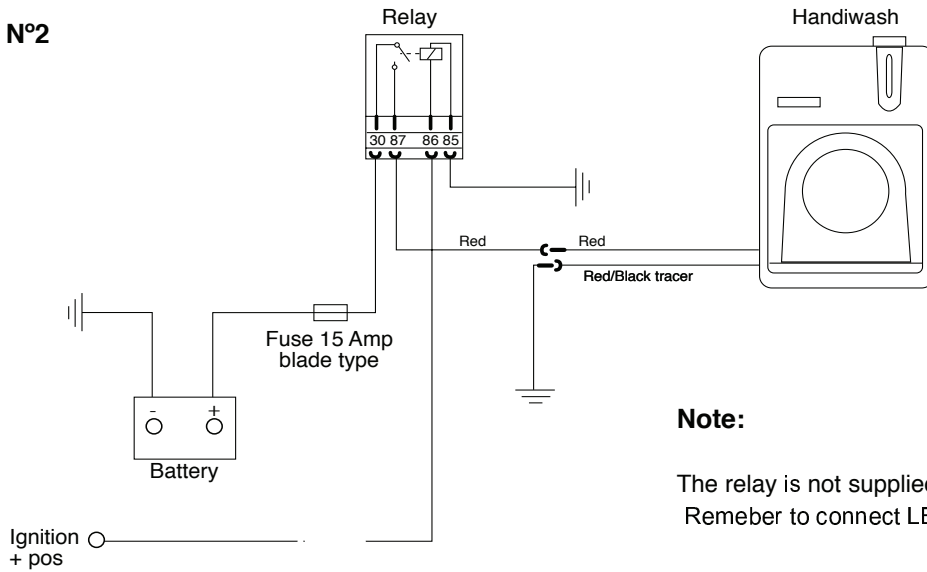
The Handiwash unit draws the following power current under full load: 9.6 Amps at 12 volt  
7 Amps at 24 volt

The unit has a power supply lead (RED) and an Earth lead (RED/BLACK TRACER) at the back of the unit. If these are connected incorrectly, the unit will still operate, however, the indicator light on the cover will not be operational. The earth lead may be connected to the vehicles chassis or any suitable earth point on insulated earth return vehicle. The power supply lead should be connected to the vehicles power supply via an in line fuse.

It is recommended that power be supplied via a relay so that the unit is only operational when the vehicles ignition is on. The unit is thermostatically controlled and when it is in operation, it will draw power for approximately 30 minutes. During this time, the indicator light on the cover will be on. Once the operational temperature has been reached, the unit will switch itself off and will only automatically switch on again for a short time if the water temperature has dropped off.

Please refer to the wiring diagram (Fig N° 2) for the suggested wiring layout.

**Fig N°2**



**Note:**

The relay is not supplied. **15amp fuse is supplied with Handiwash.**  
Remeber to connect LED on cover and place connection in recess.

# Troubleshooting Guide

## If the unit does not operate.

- 1: Check that there is a power supply to the unit and that you have a good earth connection. Check fuses.
- 2: Check that the power and earth leads have not been incorrectly connected. The unit will operate, however, the LED indicator light will not operate.
- 3: The unit may have had the reset mode activated.

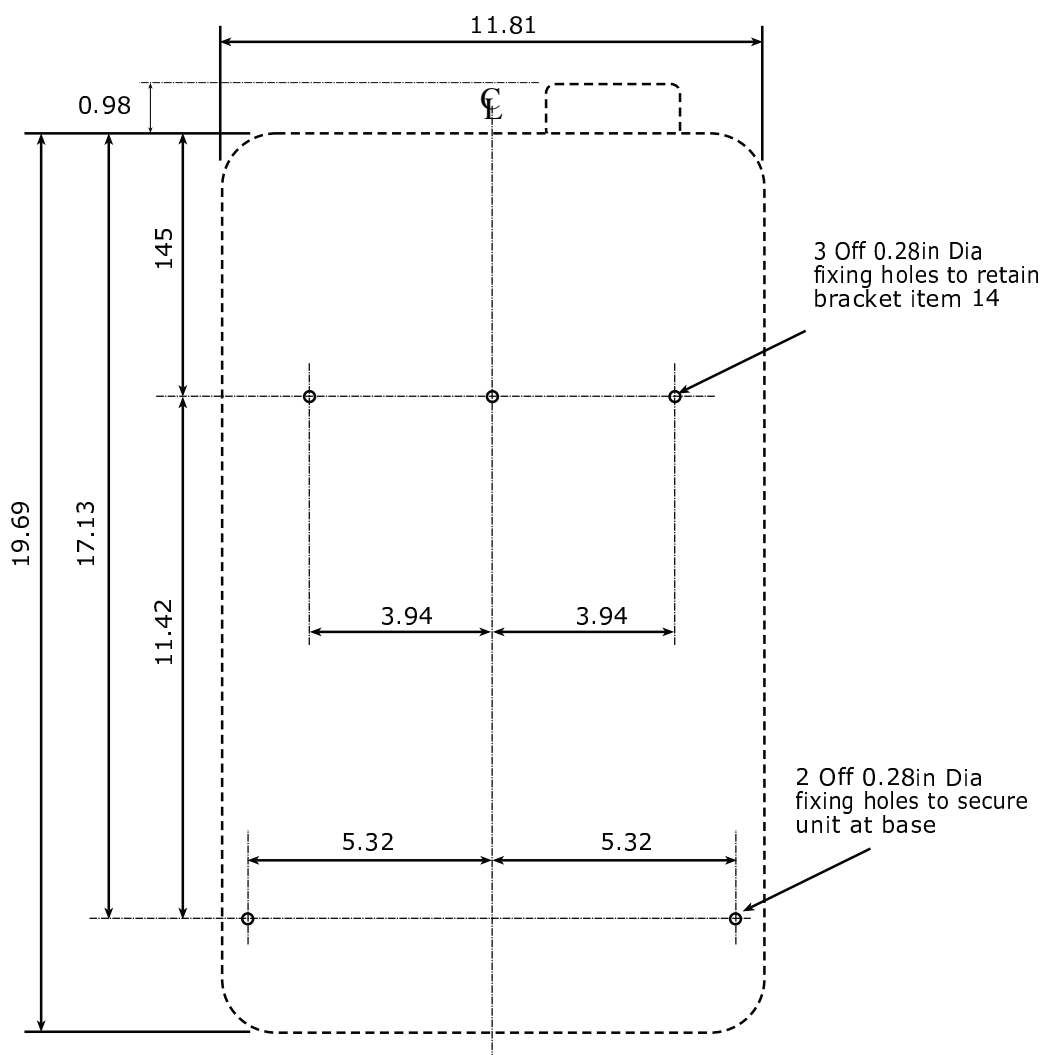
The unit must be allowed to drain a small amount of water off the hot water tap to ensure that the element is fully immersed in water. If this does not happen, the unit may turn itself off and require a manual resetting of the unit.

To manually reset, first disconnecting the power supply to the Handiwash unit and removing the cover assembly of the unit. Gently remove the insulation cover on the left hand side of the unit. You will now see a red button which will have to be pressed to reset the unit. Before you do this, make sure that water comes out of the hot water tap or it may go into reset mode again.

Once the unit has been reset, gently place the foam end cap back over the element locating the wires inside the recess in the foam. Replace the cover and check for correct operation.

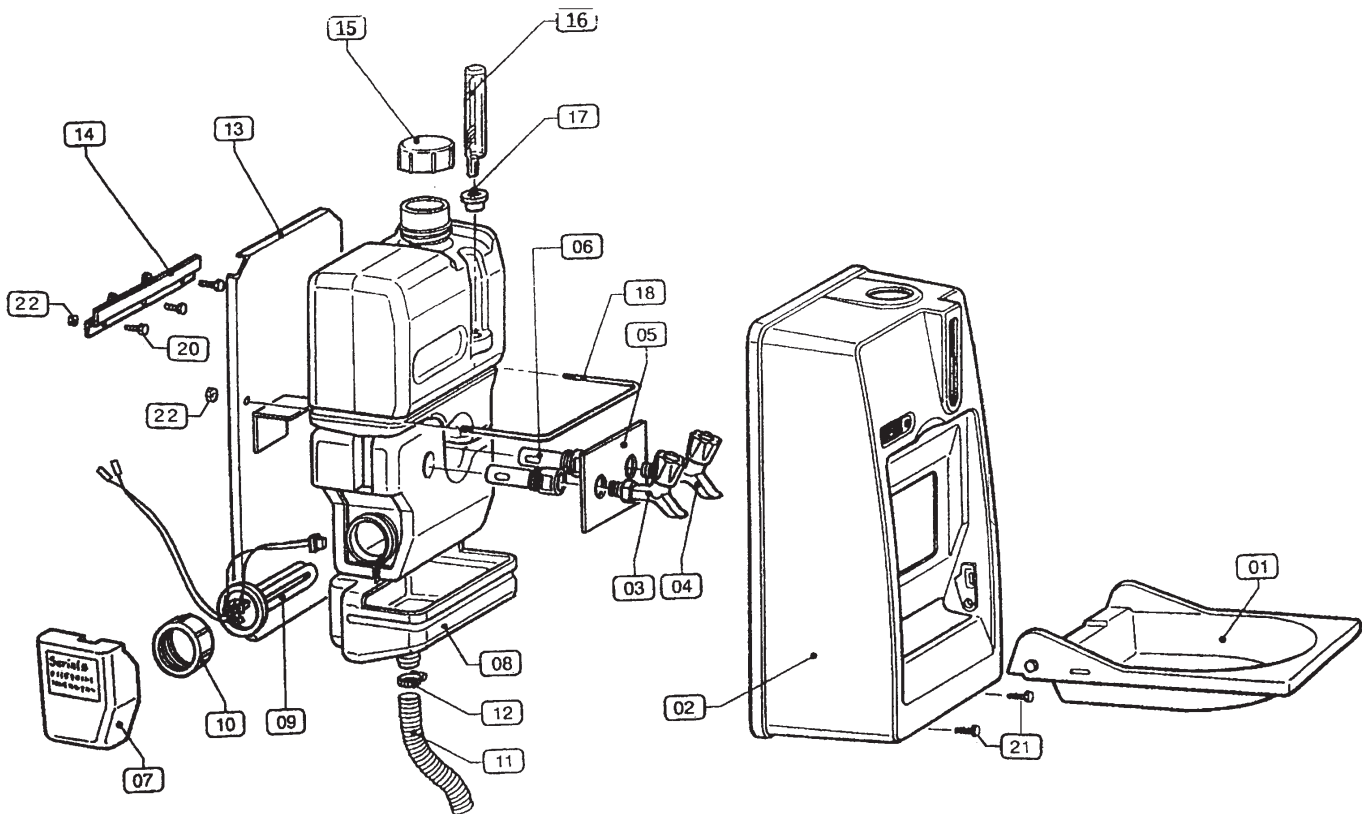
## Fig N° 4

### Mounting Dimensions



# Handiwash assembly guide

Fig N° 3



NUMBER	DESCRIPTION	QTY
01	Basin	1
02	Cover Assembly	1
03	Tap- Hot	1
04	Tap- Cold	1
05	Tap Fascia	1
06	Tap Support	1
07	Insulation Cover	1
08	Tank Module	1
09	Element assembly 12v (including LED wiring)	1
09A	Element Assembly 24v (including LED wiring)	1
10	Element Retainer Cap	1
11	Drain Hose x 800mm	1
12	Hose Clamp	1
13	Back Panel	1
14	Mounting Bracket	1
15	Filler Cap	1
16	Sight Gauge	1
17	Seal	1
18	U Bolt	1
19	Cap for Screw head (white plastic)	4
20	Screw M6x16	3
21	Screw M6x25	2
22	Nut M6 Nyloc	7