

Receiver
From

 Society
 Reference
 Address
 Phone
 Fax
 E-mail

Item n° :

103040060

Model :

FEKA VS 750 T - NA

Pump data

Free passage : 50 mm

Pressure rating :

Min. fluid temperature : 0

Max. fluid temperature : 50 °C

Max. Ambient temperature : 40 °C

Requested data

Flow : 0 m³/h

Head : 0 m

Fluid : Water, pure

Fluid Temperature : 20 °C

Density : 998.3 kg/m³

Kinematic viscosity : 1.005 mm²/s

Vapor pressure : 100 kPa

Hydraulic data (duty point)

Flow :

Head :

Materials

Pump body Stainless Steel (AISI 304)

Impeller Stainless Steel (AISI 304)

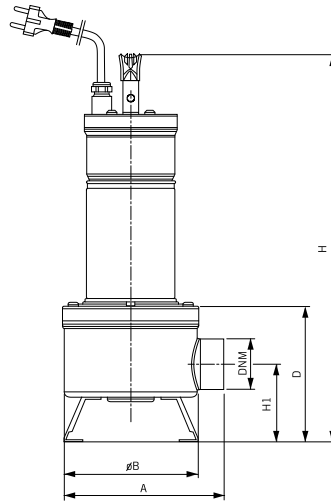
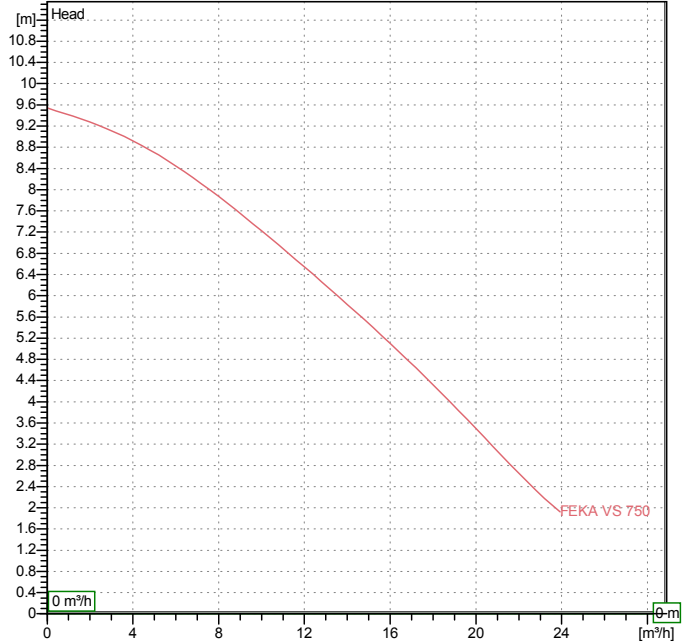
Motor shaft AISI 316

Seal disk Stainless Steel (AISI 304)

Motor casing Stainless Steel (AISI 304)

Protection cover Stainless Steel (AISI 304)

Mechanical seal pump side Silicon carbide/Silicon carbide

Curve tolerance according to ISO 9906

Motor data
Weight : 17.5 kg

Motor brand : DAB

Nominal power P2 : 0.75 kW

Rated speed : 2800 rpm

Rated voltage : 3~ 400 V

Nominal current : 1.94 A

Degree of protection : IP 68

50 Hz

Dimensions in mm

Dimension	Value				
A	203				
B	170				
D	172				
DNM	2" F				
H	492				
H1	98				

Pump connection

 Suction side : /
 Discharge side : 2 " F / --



PERFORMANCE CURVES

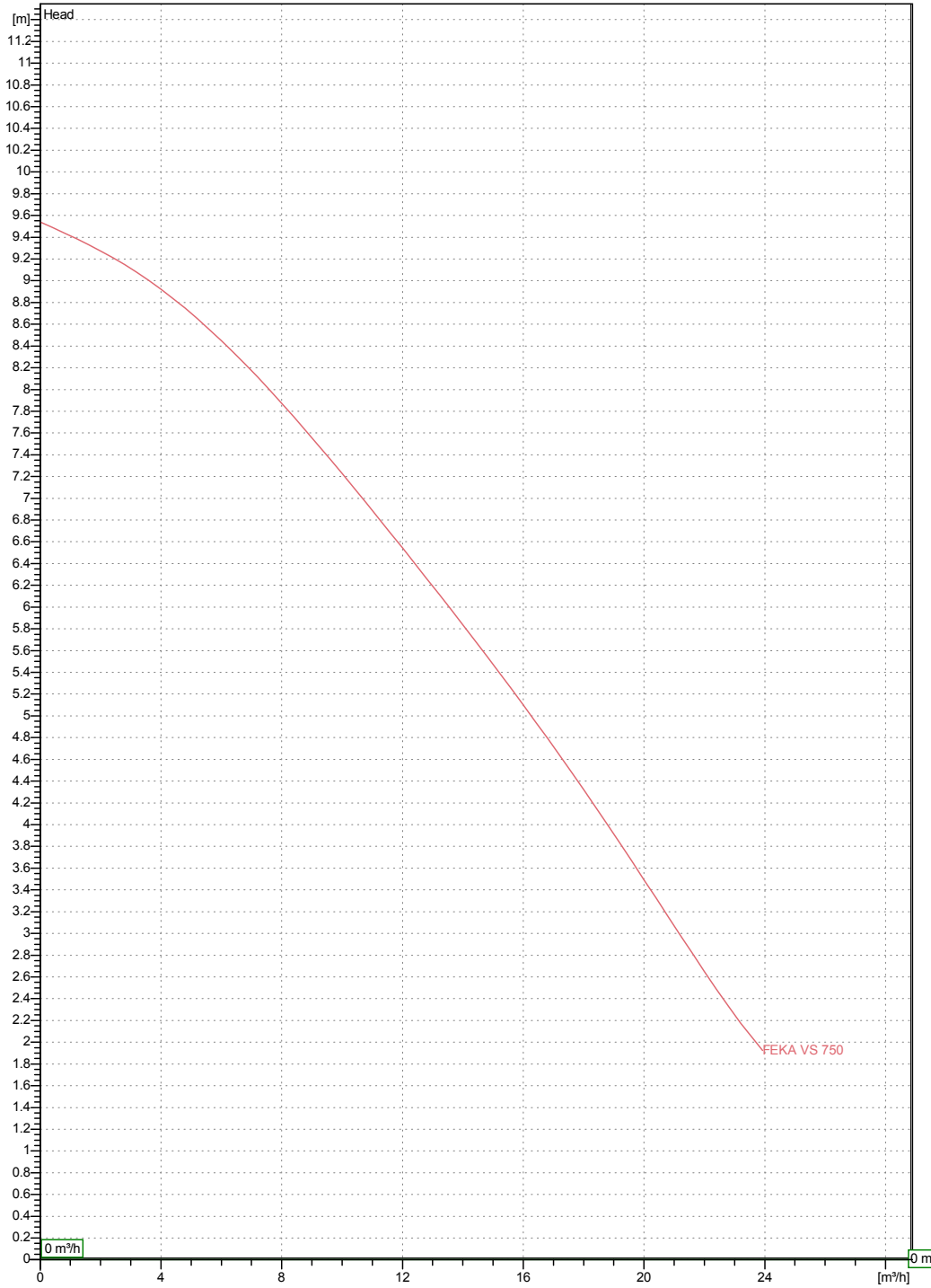
24/03/2016

Page 2 / 3

Society Reference Address Phone Fax E-mail	Receiver	From

FEKA VS 750 T - NA

Curve tolerance according to ISO 9906



Hydraulic data (duty point)

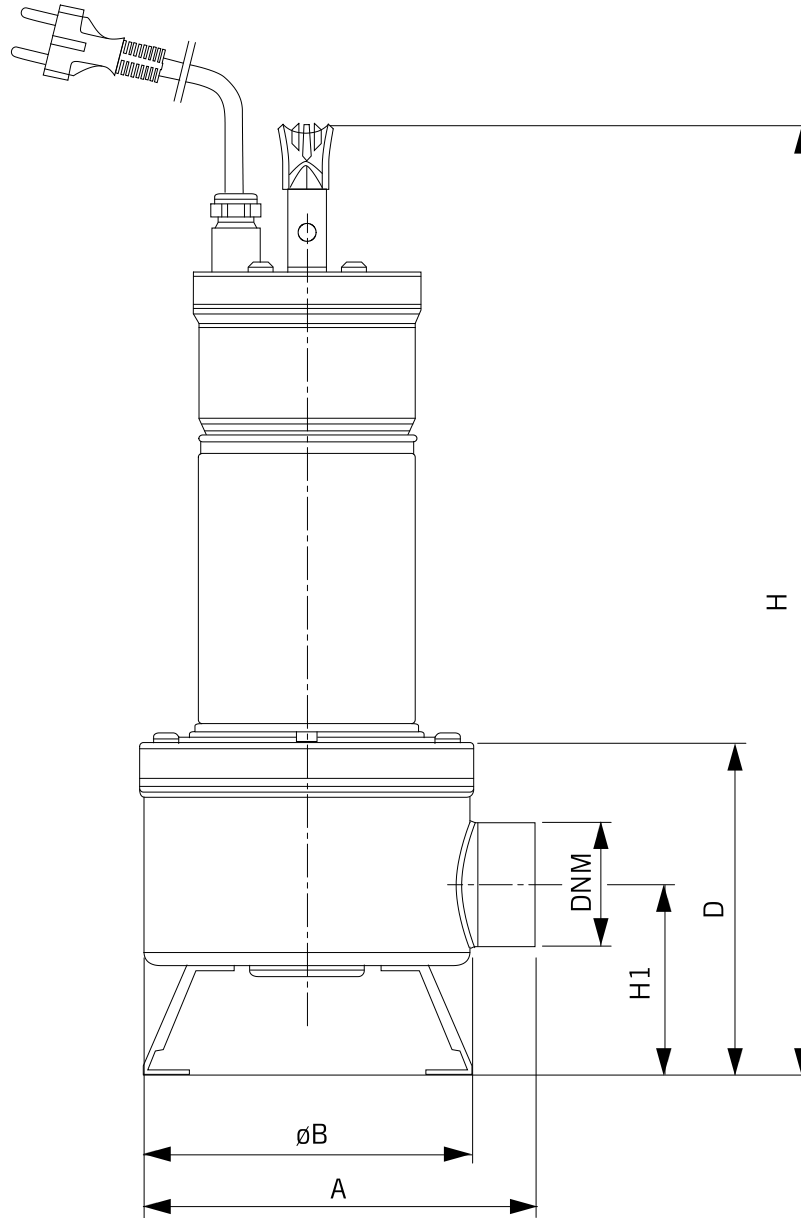
Suction side :	Discharge side : 2 " F --	Flow : 0 m³/h	Head : 0 m	Rated speed : 2800 rpm
Project	Project ID	Created by	Created on 24/03/2016	

Receiver

From

Society
Reference
Address
Phone
Fax
E-mail

FEKA VS 750 T - NA



Dimensions in mm

1	A	203				
2	B	170				
3	D	172				
4	DNM	2" F				
5	H	492				
6	H1	98				

Pump connection

Suction

Discharge

2 " F

-

Project

Project ID

Created by

Created on

24/03/2016