

Receiver
From

 Society
 Reference
 Address
 Phone
 Fax
 E-mail

Item n° :

103002704

Model :

NOVA 200 M-NA SV

Pump data

 Free passage : 5 mm
 Pressure rating :
 Min. fluid temperature : 0 °C
 Max. fluid temperature : 35 °C
 Max. Ambient temperature : 40 °C

Requested data

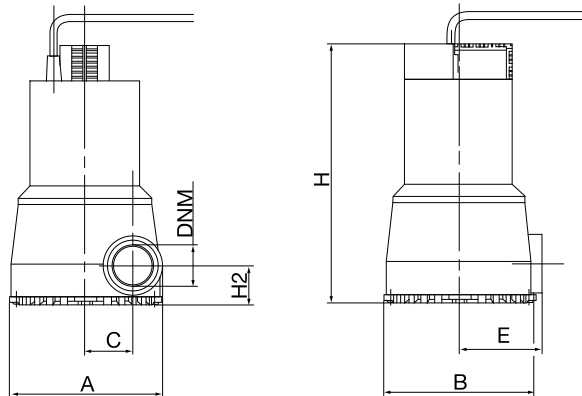
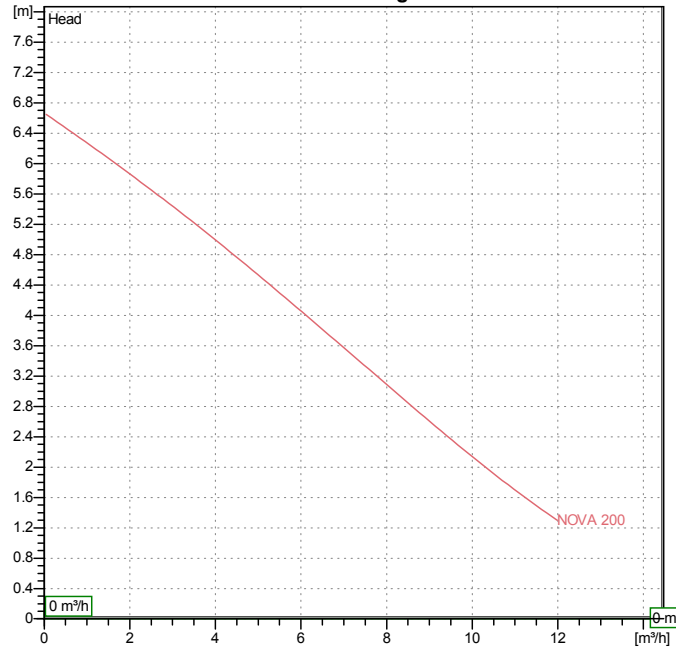
 Flow : 0 m³/h
 Head : 0 m
 Fluid : Water, pure
 Fluid Temperature : 20 °C
 Density : 998.3 kg/m³
 Kinematic viscosity : 1.005 mm²/s
 Vapor pressure : 100 kPa

Hydraulic data (duty point)

 Flow :
 Head :

Materials

 Pump body Technopolymer
 Impeller Technopolymer
 OR ring NBR Rubber
 Motor top body AISI 304 X5 Cr Ni 1810 UNI 6900/71
 Rotor shaft AISI 431
 Seeger ring 12E - UNI 7435 STAINLESS
 Suction strainer Technopolymer

Curve tolerance according to ISO 9906

Motor data
Weight : 4.5 kg

 Motor brand : DAB
 Nominal power P2 : 0.22 kW
 Rated speed : 2850 rpm
 Rated voltage : 1~ 220-240 V
 Nominal current : 1.5 A
 Degree of protection : IP 68

50 Hz

Dimensions in mm

Dimension	Value				
A	148				
B	148				
C	46				
DNM	1" 1/4 G				
E	82				
H	253				
H2	38				

Pump connection

 Suction side : /
 Discharge side : 1" 1/4 G / --



PERFORMANCE CURVES

24/03/2016

Page 2 / 3

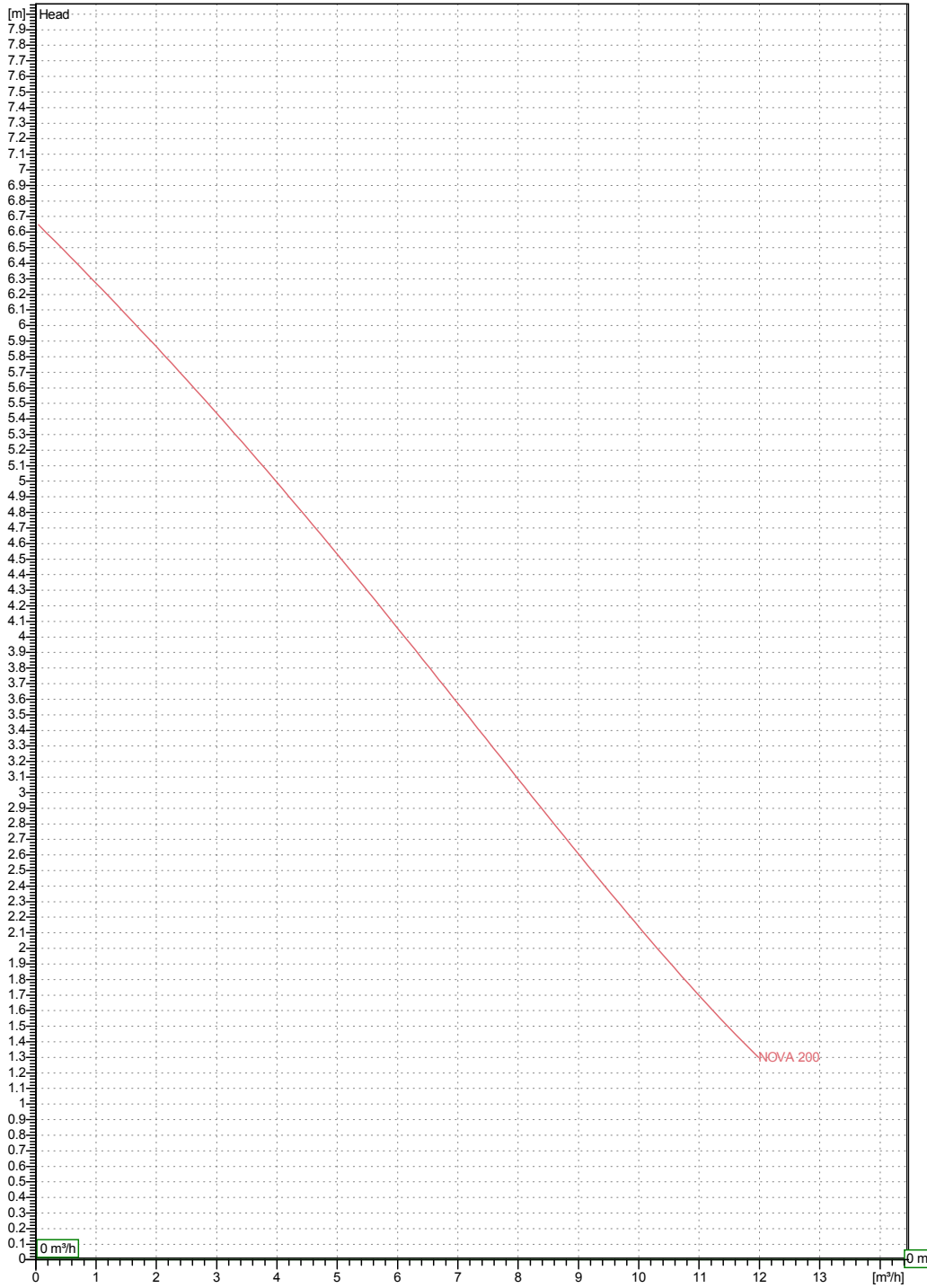
Receiver

From

Society
Reference
Address
Phone
Fax
E-mail

NOVA 200 M-NA SV

Curve tolerance according to ISO 9906



Hydraulic data (duty point)

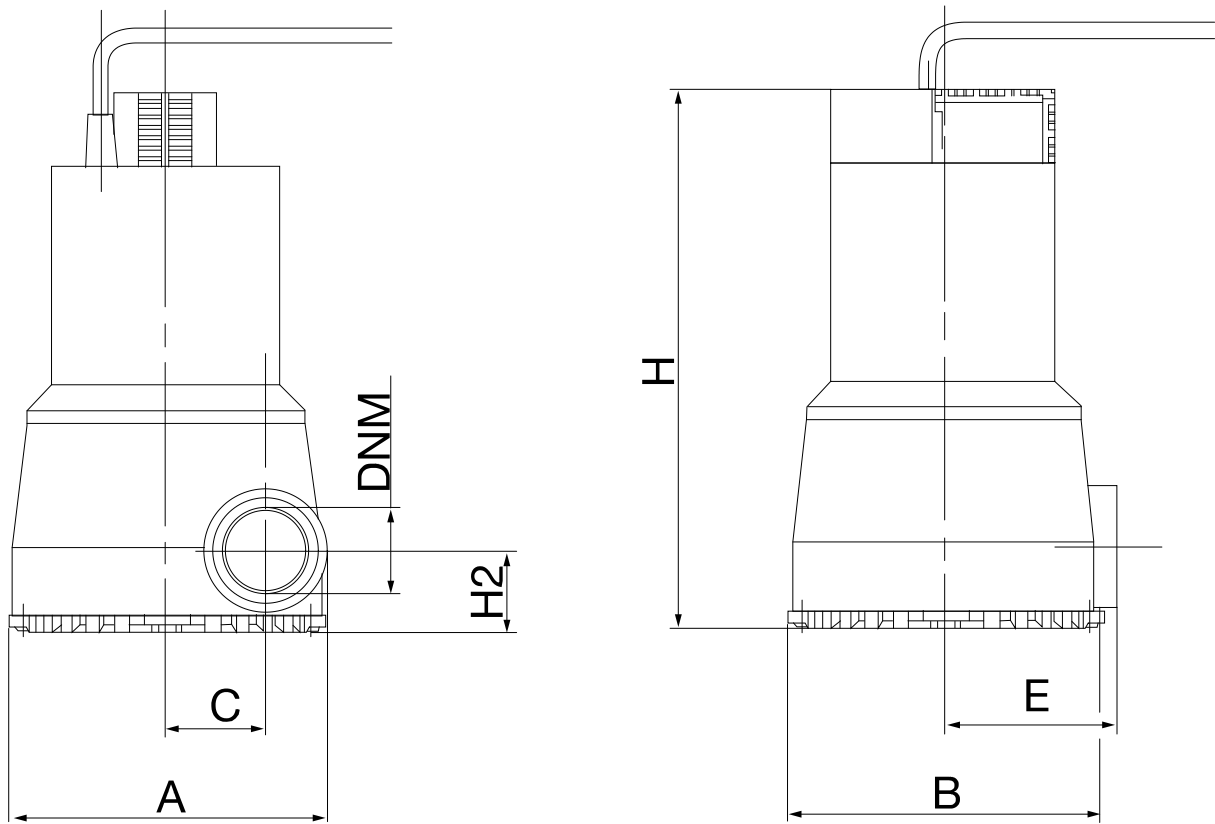
Suction side :	Discharge side : 1 " 1/4 G --	Flow : 0 m³/h	Head : 0 m	Rated speed : 2850 rpm
Project	Project ID	Created by	Created on 24/03/2016	

Receiver

From

Society
Reference
Address
Phone
Fax
E-mail

NOVA 200 M-NA SV



Dimensions in mm

1	A	148
2	B	148
3	C	46
4	DNM	1" 1/4 G
5	E	82
6	H	253
7	H2	38

Pump connection

Suction

Discharge
1" 1/4 G

Project

Project ID

Created by

Created on

24/03/2016