

**Receiver**
**From**

 Society  
 Reference  
 Address  
 Phone  
 Fax  
 E-mail

**Item n° :**

60122637

**Model :**

VERTY NOVA 400 M

**Pump data**

 Free passage : 5 mm  
 Pressure rating :  
 Min. fluid temperature :  
 Max. fluid temperature :  
 Max. Ambient temperature :

**Requested data**

 Flow : 0 m<sup>3</sup>/h  
 Head : 0 m  
 Fluid : Water, pure  
 Fluid Temperature : 20 °C  
 Density : 998.3 kg/m<sup>3</sup>  
 Kinematic viscosity : 1.005 mm<sup>2</sup>/s  
 Vapor pressure : 100 kPa

**Hydraulic data (duty point)**

 Flow :  
 Head :

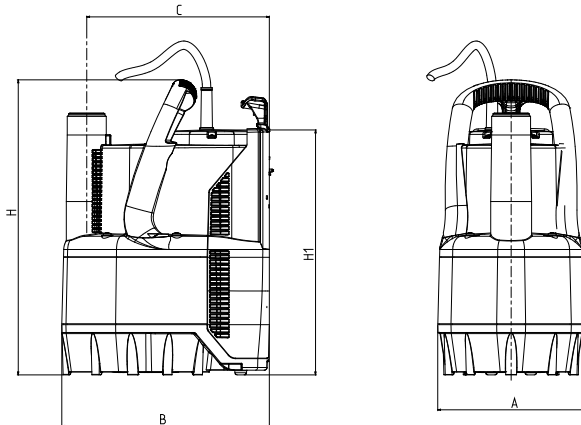
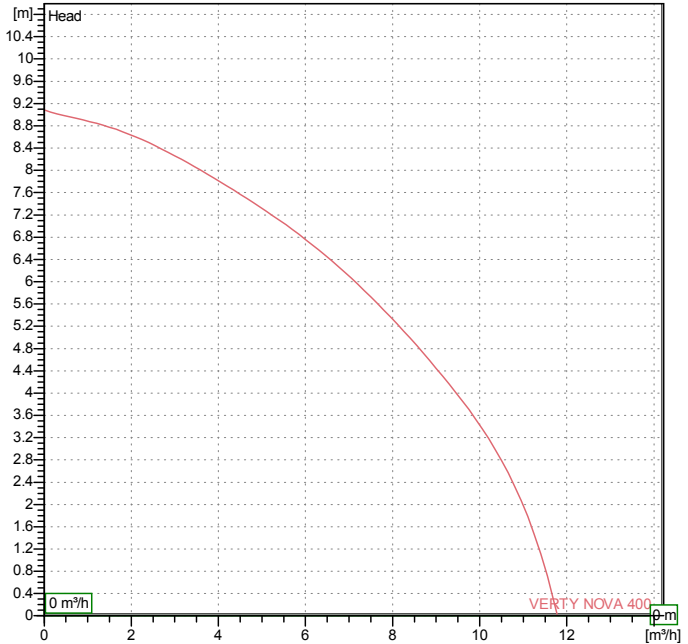
**Materials**

 Pump body Technopolymer  
 Impeller Noryl  
 Motor casing Stainless Steel AISI 304  
 Motor shaft AISI 416 X12 CrS 13 UNI EN 10088-1  
 Float Technopolymer  
 OR ring NBR 70  
 Filter Technopolymer

**Motor data**

 Motor brand : DAB  
 Nominal power P2 : 0.4 kW  
 Rated speed : 2800 rpm  
 Rated voltage : 1~ 220-240 V  
 Nominal current : 2.6 A  
 Degree of protection : IP X8

50 Hz

**Curve tolerance according to ISO 9906**

**Weight :** 5.1 kg

**Dimensions in mm**

Dimension	Value (mm)				
A	158				
B	225				
C	200				
D	33				
H	354				
H1	301				

**Pump connection**

 Suction side : /  
 Discharge side : /



# PERFORMANCE CURVES

24/03/2016

Page 2 / 3

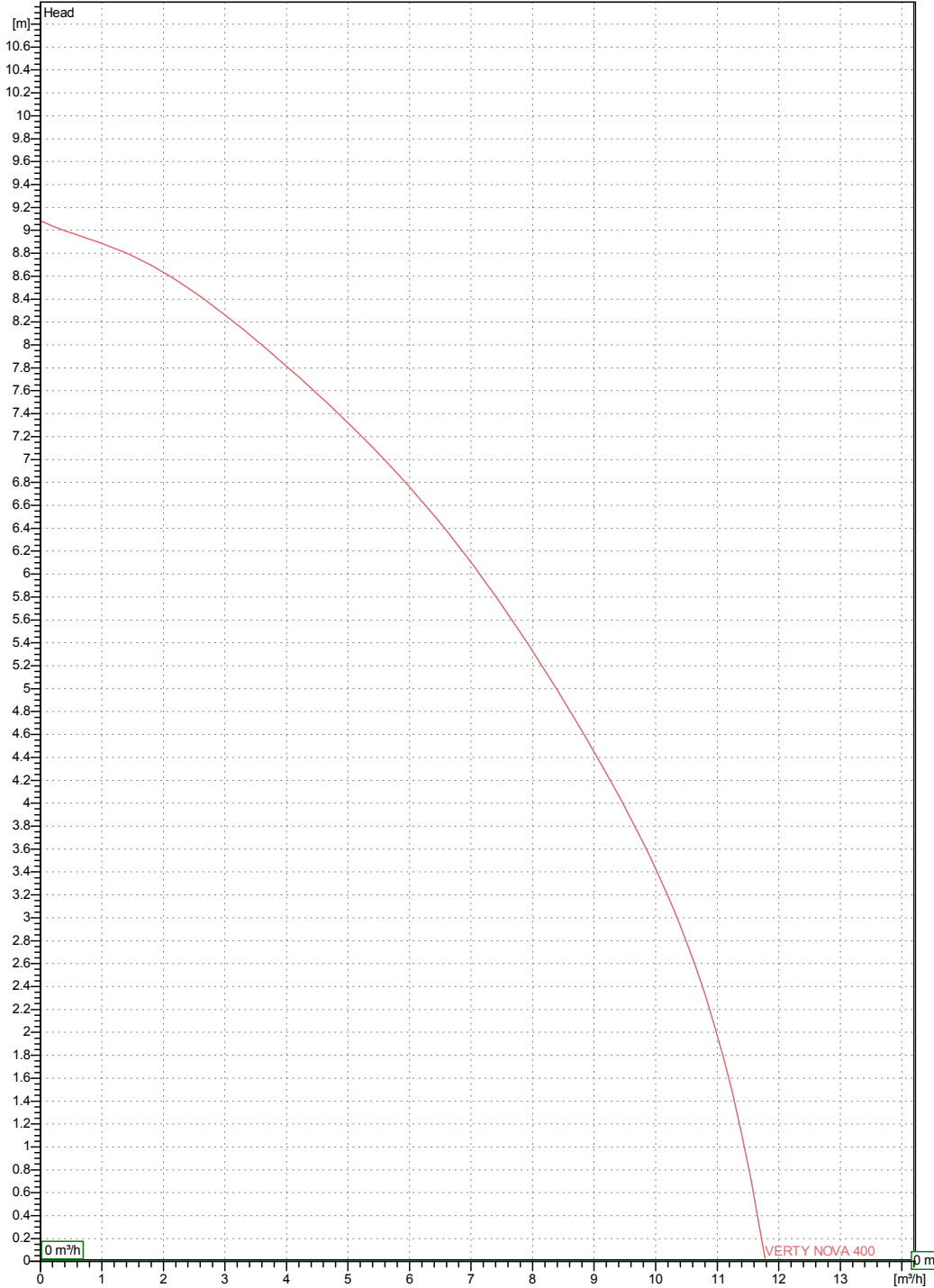
Receiver

From

Society  
Reference  
Address  
Phone  
Fax  
E-mail

## VERTY NOVA 400 M

Curve tolerance according to ISO 9906



Hydraulic data (duty point)

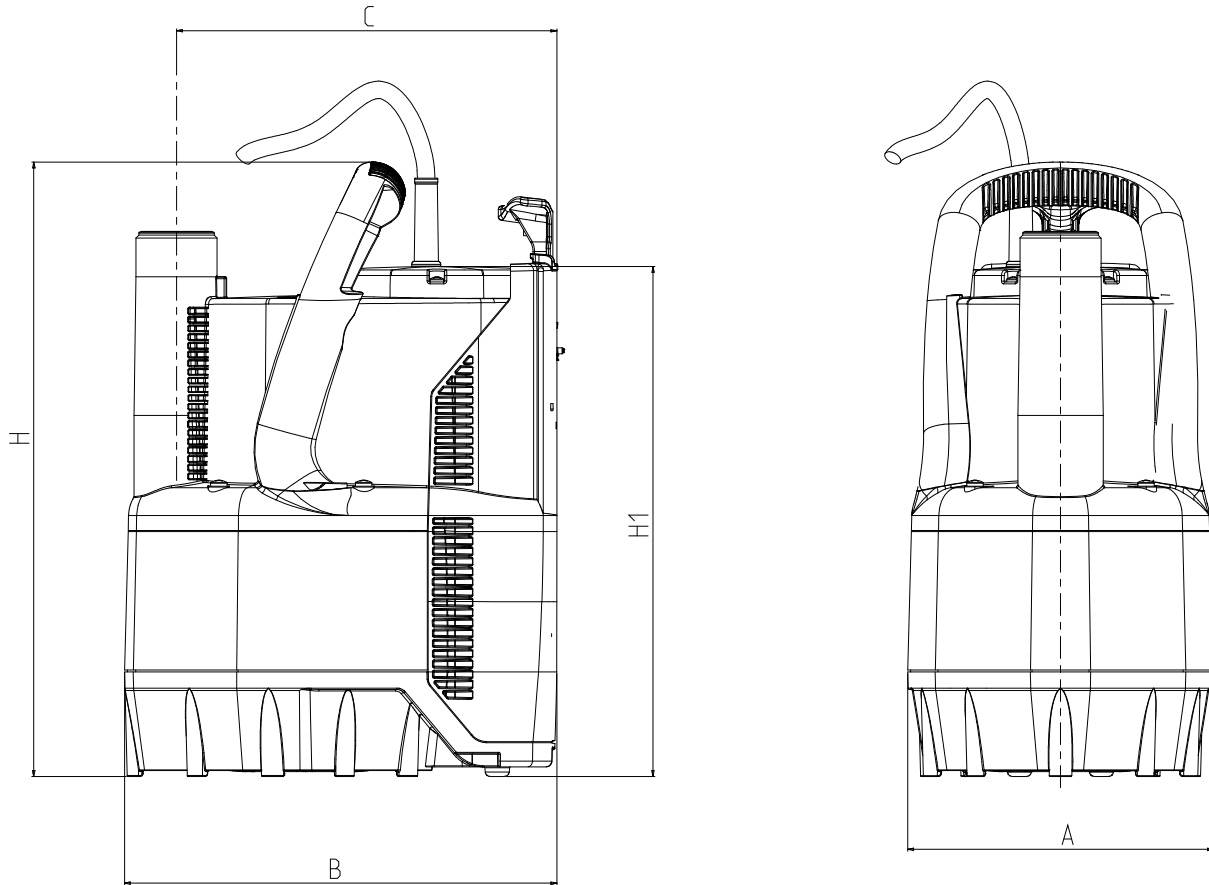
Suction side :	Discharge side :	Flow : 0 m³/h	Head : 0 m	Rated speed : 2800 rpm
Project	Project ID	Created by	Created on <b>24/03/2016</b>	

Receiver

From

Society  
Reference  
Address  
Phone  
Fax  
E-mail

**VERTY NOVA 400 M**



**Dimensions in mm**

1	A	158				
2	B	225				
3	C	200				
4	D	33				
5	H	354				
6	H1	301				

**Pump connection**

Suction

Discharge

Project

Project ID

Created by

Created on

**24/03/2016**