

Receiver
From

 Society
 Reference
 Address
 Phone
 Fax
 E-mail

Item n° :

60141888

Model :

AQUAJET-INOX 132 M-G

Pump data

 Pressure rating : 8 bar (800 kPa)
 Min. fluid temperature : 0 °C
 Max. fluid temperature : 35 °C
 Max. Ambient temperature : 40 °C

Priming capacity :

H	m	2	3	4	5	6	7	8	9
Q	m³/h	4.68	4.32	4.02	3.66	3.24	2.76	2.28	1.86

Requested data

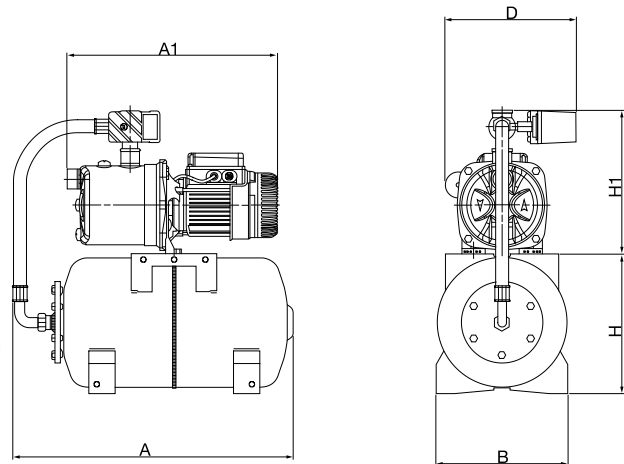
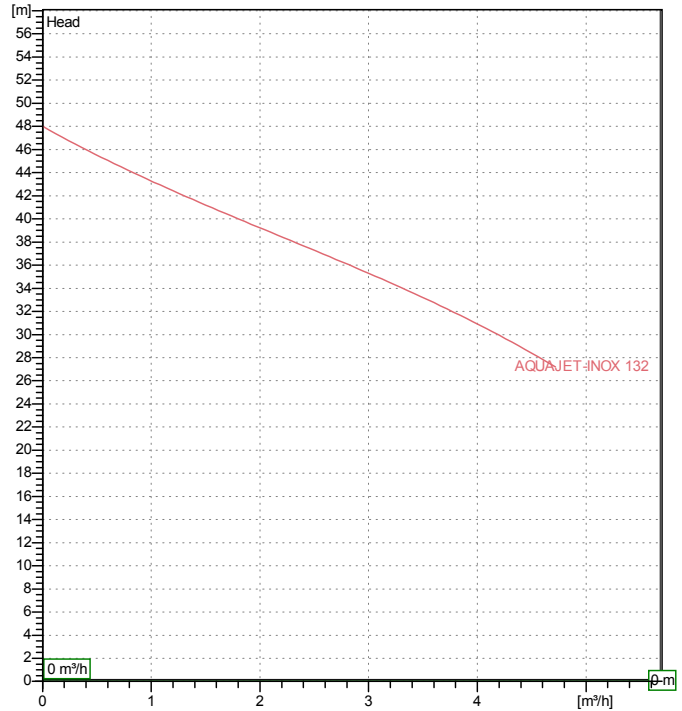
 Flow : 0.00 m³/h
 Head : 0.00 m
 Fluid : Water, pure
 Fluid Temperature : 20 °C
 Density : 998.3 kg/m³
 Kinematic viscosity : 1.005 mm²/s
 Vapor pressure : 100.00 kPa

Hydraulic data (duty point)

 Flow :
 Head :

Materials

 Pump body : AISI 304 X5 Cr Ni 1810 UNI 6900/71
 Impeller : Technopoly mer A
 Shaft with rotor : AISI 303 X10 CrNiS 1809 UNI 6900/71
 OR ring : NBR Rubber
 Nozzle venturi dif fuser assembly : Technopoly mer A
 Mechanical seal : Carbon/Ceramic
 Disc seal : AISI 304 X5 Cr Ni 1810 UNI 6900/71

Curve tolerance according to ISO 9906

Motor data

 Motor brand : DAB
 Nominal power P2 : 1 kW
 Rated speed : 2750 rpm
 Rated voltage : 1~ 230 V
 Nominal current : 6.6 A
 Degree of protection : IP 44

50 Hz

Dimensions in
mm

A	494	DNA	1" GAS	L	283		
A1	426	DNM	1" GAS				
B	263	H	296				
D	237	H1	277				

Weight : 19.5 kg

Pump connection

 Suction side : 1 " G / 8 bar (800 kPa)
 Discharge side : 1 " G / 8 bar (800 kPa)



PERFORMANCE CURVES

24/03/2016

Page 2 / 3

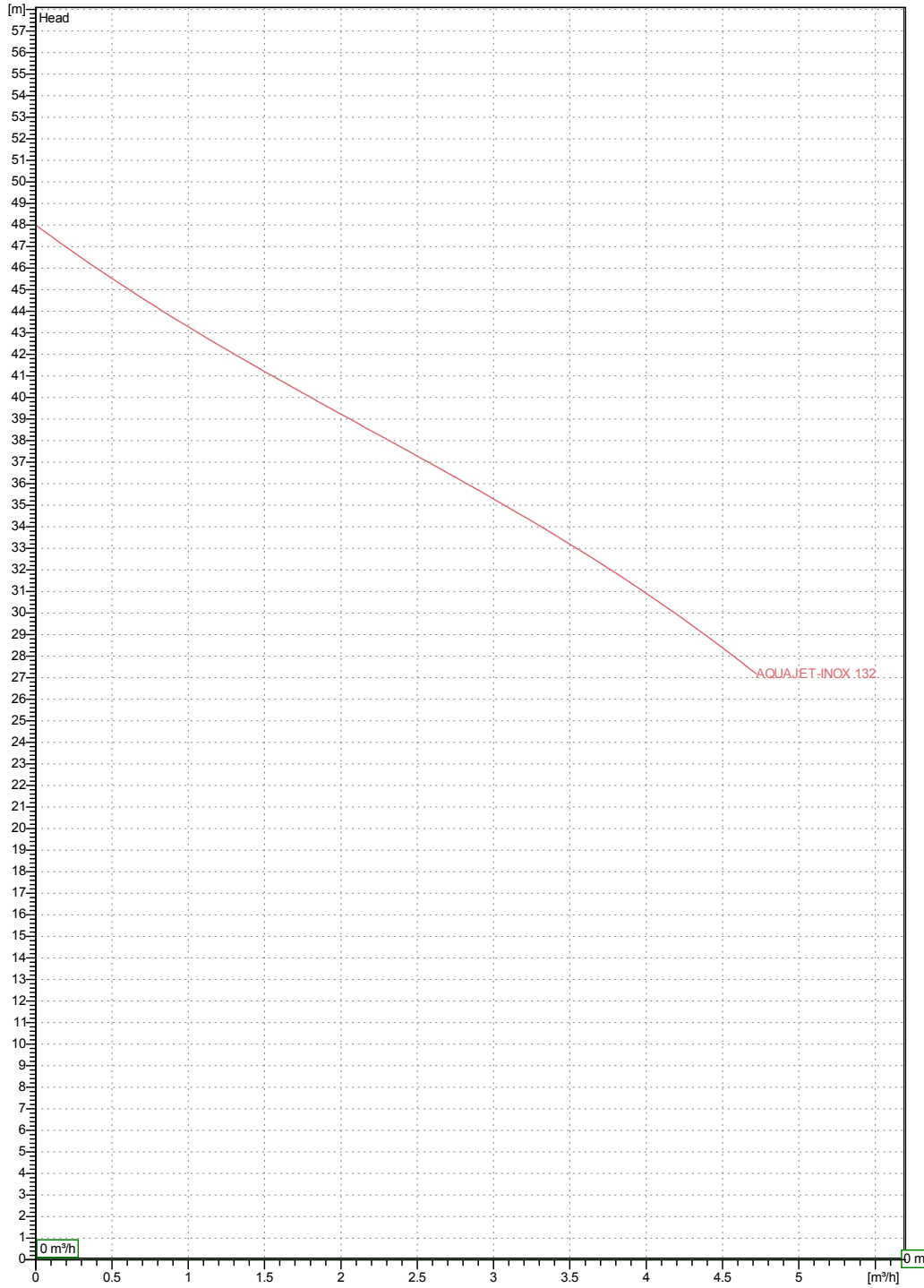
Receiver

From

Society
Reference
Address
Phone
Fax
E-mail

AQUAJET-INOX 132 M-G

Curve tolerance according to ISO 9906



Hydraulic data (duty point)

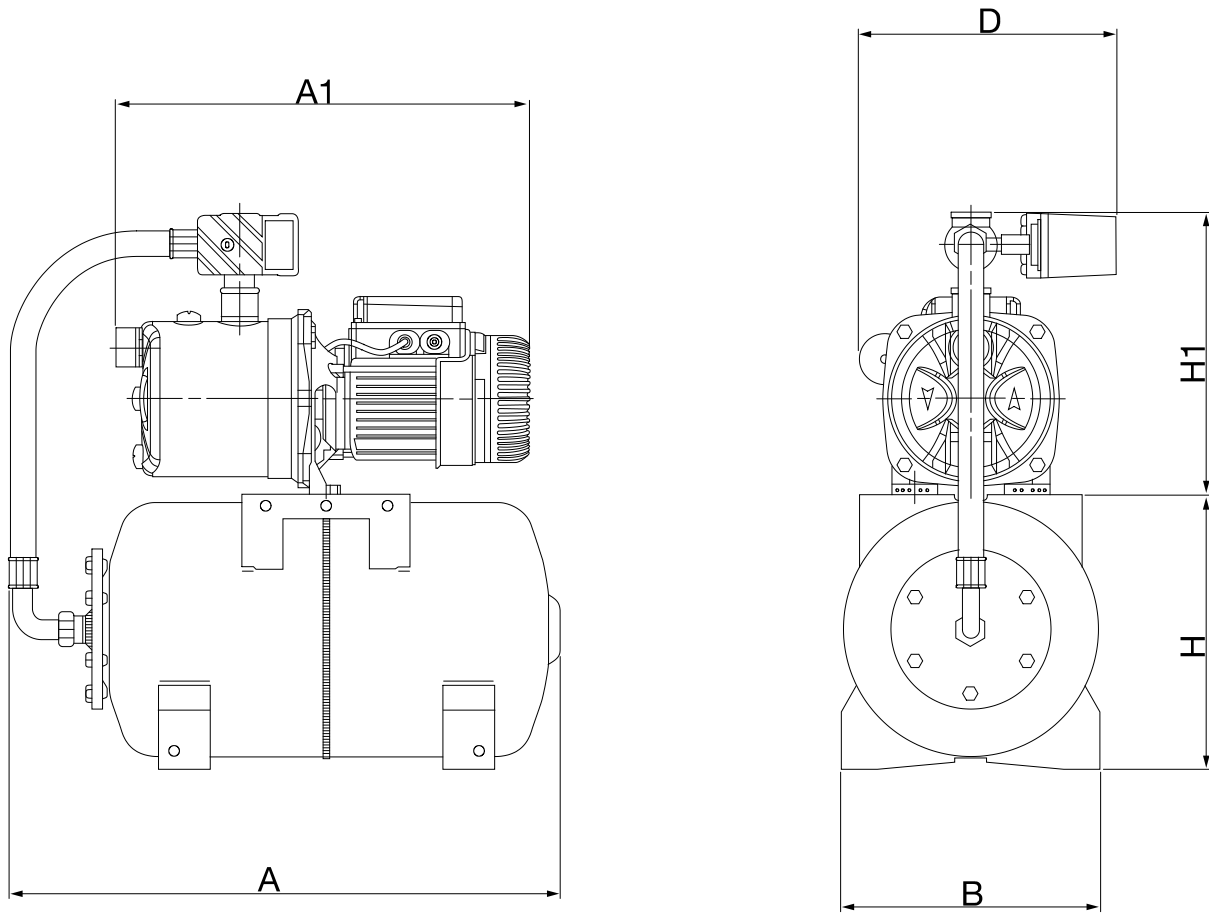
Suction side : 1 " G 8 bar (800 kPa)	Discharge side : 1 " G 8 bar (800 kPa)	Flow : 0 m³/h	Head : 0 m	Rated speed : 2750 rpm
Project	Project ID	Created by	Created on 24/03/2016	

Receiver

From

Society
Reference
Address
Phone
Fax
E-mail

AQUAJET-INOX 132 M-G



Dimensions in mm

1	A	494				
2	A1	426				
3	B	263				
4	D	237				
5	DNA	1" GAS				
6	DNM	1" GAS				
7	H	296				
8	H1	277				
9	L	283				

Pump connection

Suction
1 " G
8 bar (800 kPa)

Discharge
1 " G
8 bar (800 kPa)

Project

Project ID

Created by

Created on

24/03/2016