

**Receiver**

**From**

Society  
Reference  
Address  
Phone  
Fax  
E-mail

**Item n° :**

60147200

**Model :**

E.SYBOX

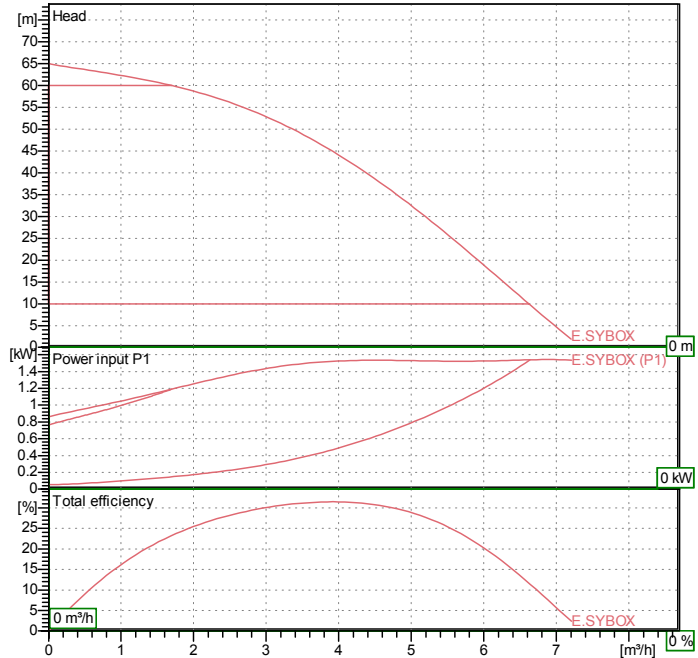
**Pump data**

Pressure rating : 8 bar (800 kPa)  
Min. fluid temperature : 0 °C  
Max. fluid temperature : 40 °C  
Max. Ambient temperature : 50 °C

**Requested data**

Flow : 0.00 m³/h  
Head : 0.00 m  
Fluid : Water, pure  
Fluid Temperature : 20 °C  
Density : 998.3 kg/m³  
Kinematic viscosity : 1.005 mm²/s  
Vapor pressure : 100.00 kPa

**Curve tolerance according to ISO 9906**

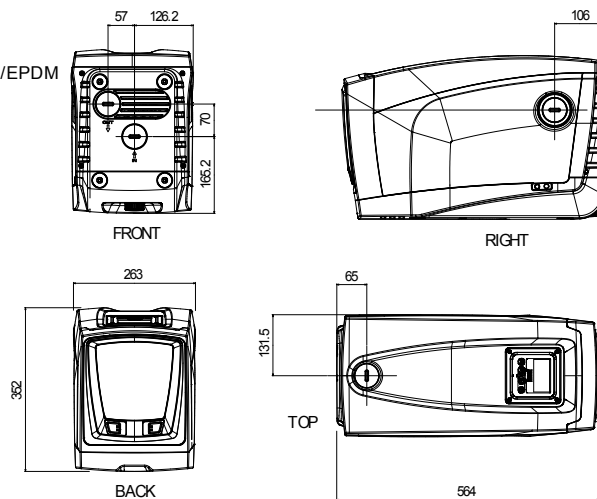


**Materials**

Motor flange	Technopolymer
Rotor shaft	AISI 303
Motor liner	Stainless Steel AISI 304
OR ring	NBR
Mechanical seal	Impregnated carbon-resin/Silicon carbide/EPDM
<b>Plugs</b>	<b>Technopolymer</b>
Suction body	Technopolymer
Insert	Brass nickel coated
Shutter	Technopolymer
Spring	AISI 303
Diffuser	Technopolymer
Diffuser body	Technopolymer
Impeller	Technopolymer
Wear ring	Stainless Steel AISI 316
Nut	Stainless Steel AISI 316
Diffuser plug	Technopolymer
Sintered plate	Stainless Steel AISI 304
Pump body	Technopolymer
Discharge section	Technopolymer
Flow switch body	Technopolymer
Discharge manifold	Technopolymer
Non-return valve	Technopolymer/Rubber/Steel
Tank	Technopolymer/Rubber
Pressure sensor body	Technopolymer

**Hydraulic data (duty point)**

Flow :  
Head :



**Dimensions in mm**

--	--	--	--	--	--	--	--

**Weight :** 27 kg

**Pump connection**

Suction side : 1 " G / 8 bar (800 kPa)  
Discharge side : 1 " G / 8 bar (800 kPa)

**Motor data**

Power input P1 : 1.55 kW  
Rated speed : 3000 rpm  
Rated voltage : 1~ 220-240 V 50 Hz  
Nominal current : 10 A  
Degree of protection : IP X4

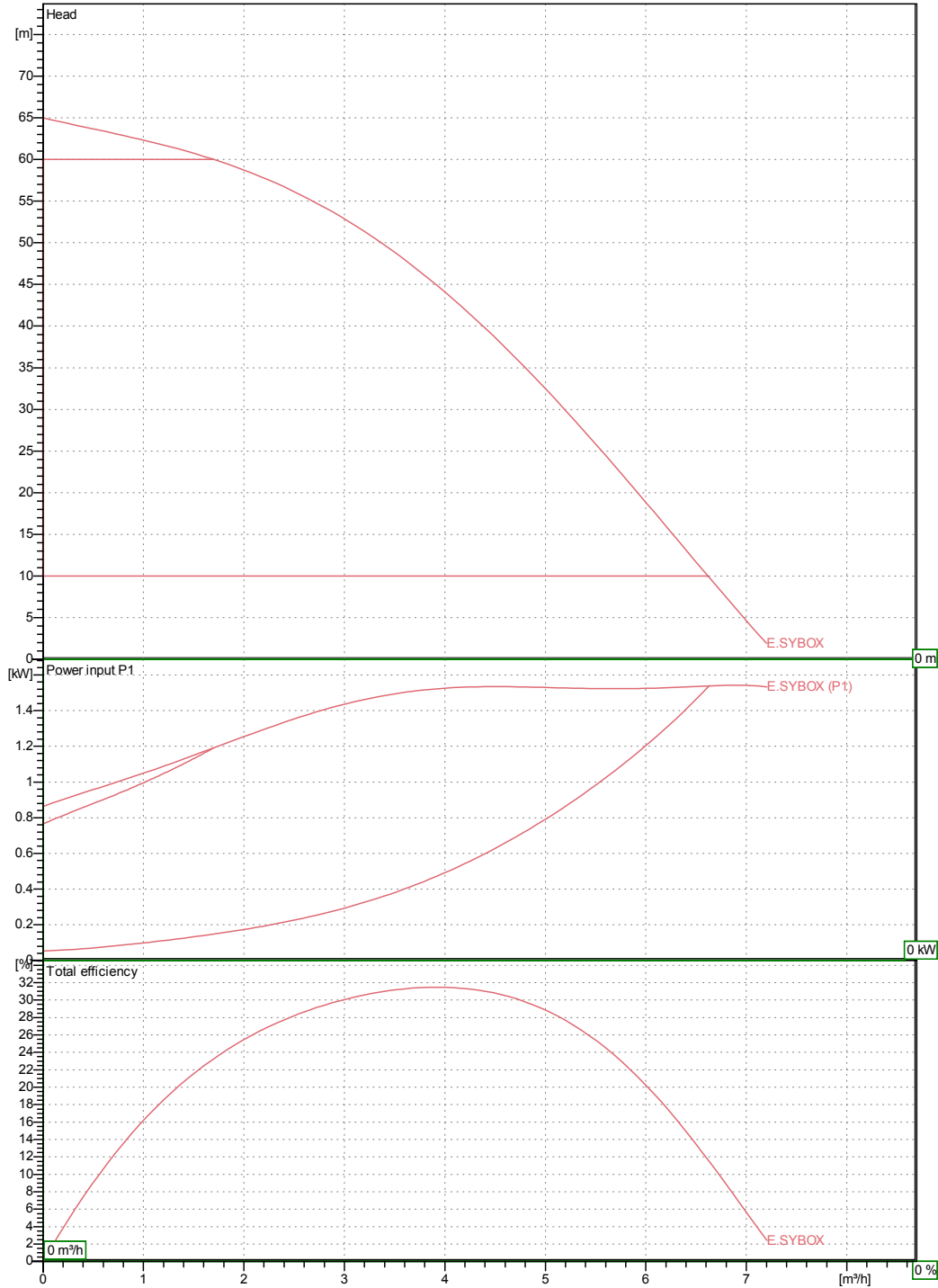
Receiver

From

Society  
Reference  
Address  
Phone  
Fax  
E-mail

## E.SYBOX

Curve tolerance according to ISO 9906



Hydraulic data (duty point)

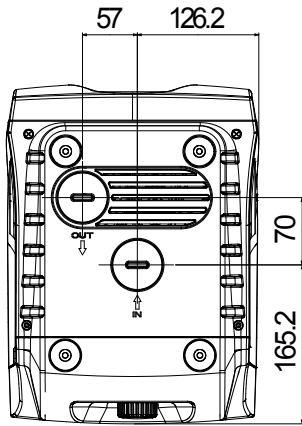
Suction side : 1 " G 8 bar (800 kPa)	Discharge side : 1 " G 8 bar (800 kPa)	Flow : 0 m³/h	Head : 0 m	Rated speed : 3000 rpm
Project	Project ID	Created by	Created on <b>24/03/2016</b>	

Receiver

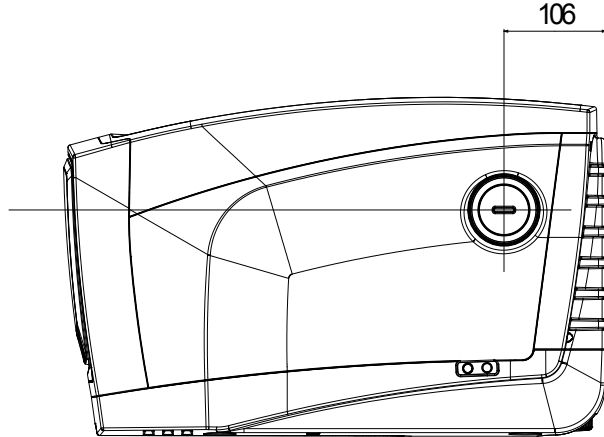
From

Society  
Reference  
Address  
Phone  
Fax  
E-mail

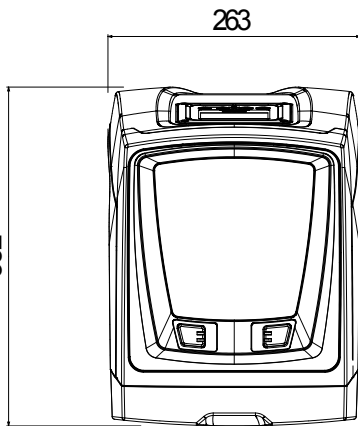
**E.SYBOX**



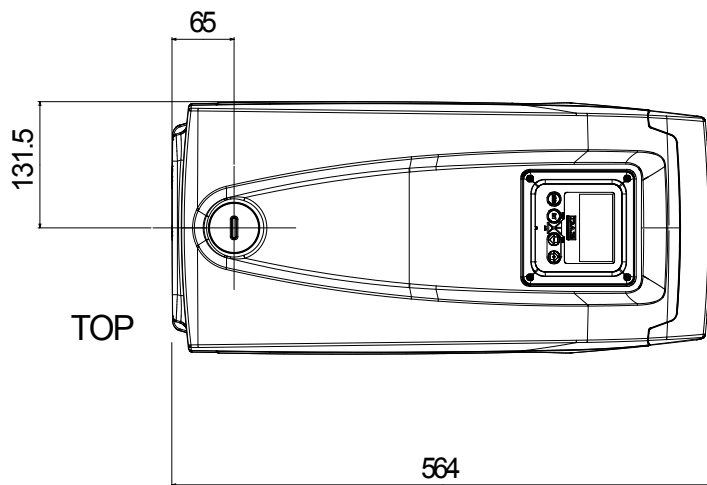
**FRONT**



**RIGHT**



**BACK**



**TOP**

Dimensions in mm

Pump connection

Suction  
1 " G  
8 bar (800 kPa)

Discharge  
1 " G  
8 bar (800 kPa)

Project

Project ID

Created by

Created on

**24/03/2016**