

Receiver
From

 Society
 Reference
 Address
 Phone
 Fax
 E-mail

Item n° :

102970360

Model :

EUROINOX 40/80 M

Pump data

 Pressure rating : 8 bar (800 kPa)
 Min. fluid temperature : 0 °C
 Max. fluid temperature : 35 °C
 Max. Ambient temperature : 40 °C

Requested data

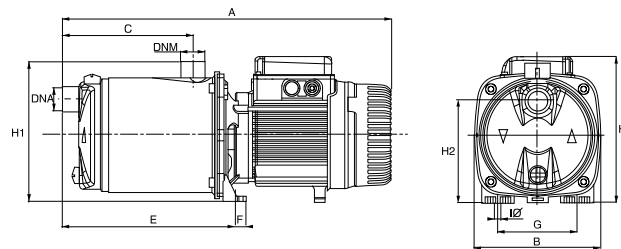
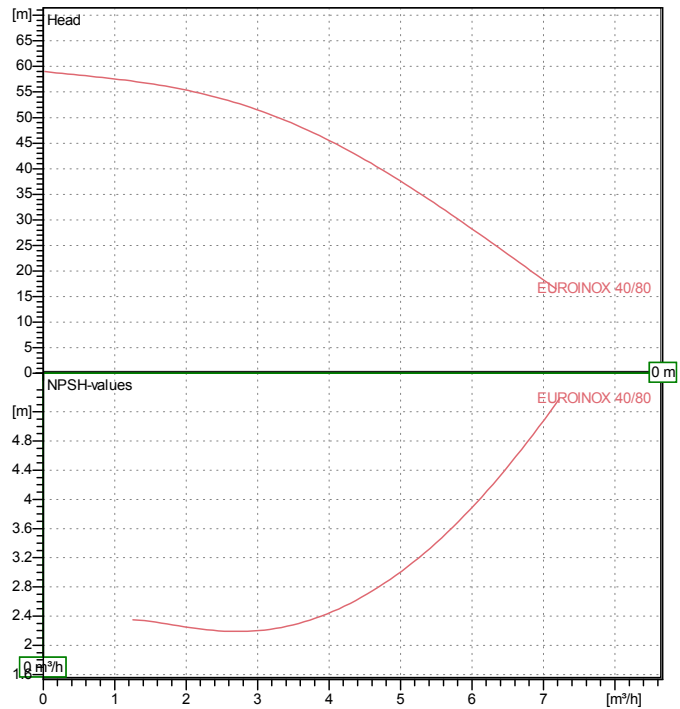
 Flow : 0.00 m³/h
 Head : 0.00 m
 Fluid : Water, pure
 Fluid Temperature : 20 °C
 Density : 998.3 kg/m³
 Kinematic viscosity : 1.005 mm²/s
 Vapor pressure : 100.00 kPa

Hydraulic data (duty point)

 Flow :
 Head :

Materials

Pump body	AISI 304 X5 Cr Ni 1810 UNI 6900/71
Impeller	Technopolymer
Shaft with rotor	AISI 304 X5 Cr Ni 1810 UNI 6900/71
OR ring	NBR
Diffuser	Technopolymer
Mechanical seal	Carbon/Ceramic
Disc seal	AISI 304 X5 Cr Ni 1810 UNI 6900/71

Curve tolerance according to ISO 9906

Motor data

Motor brand :	DAB	
Nominal power P2 :	1 kW	
Rated speed :	2800 rpm	
Rated voltage :	1~ 230 V	50 Hz
Nominal current :	6.5 A	
Degree of protection :	IP 44	

Weight : 15.5 kg

Dimensions in
mm

A	458	DNM	1" G	H	203		
B	174	E	241	H1	196		
C	166	F	13.5	H2	143		
DNA	1" G	G	111	IØ	9		

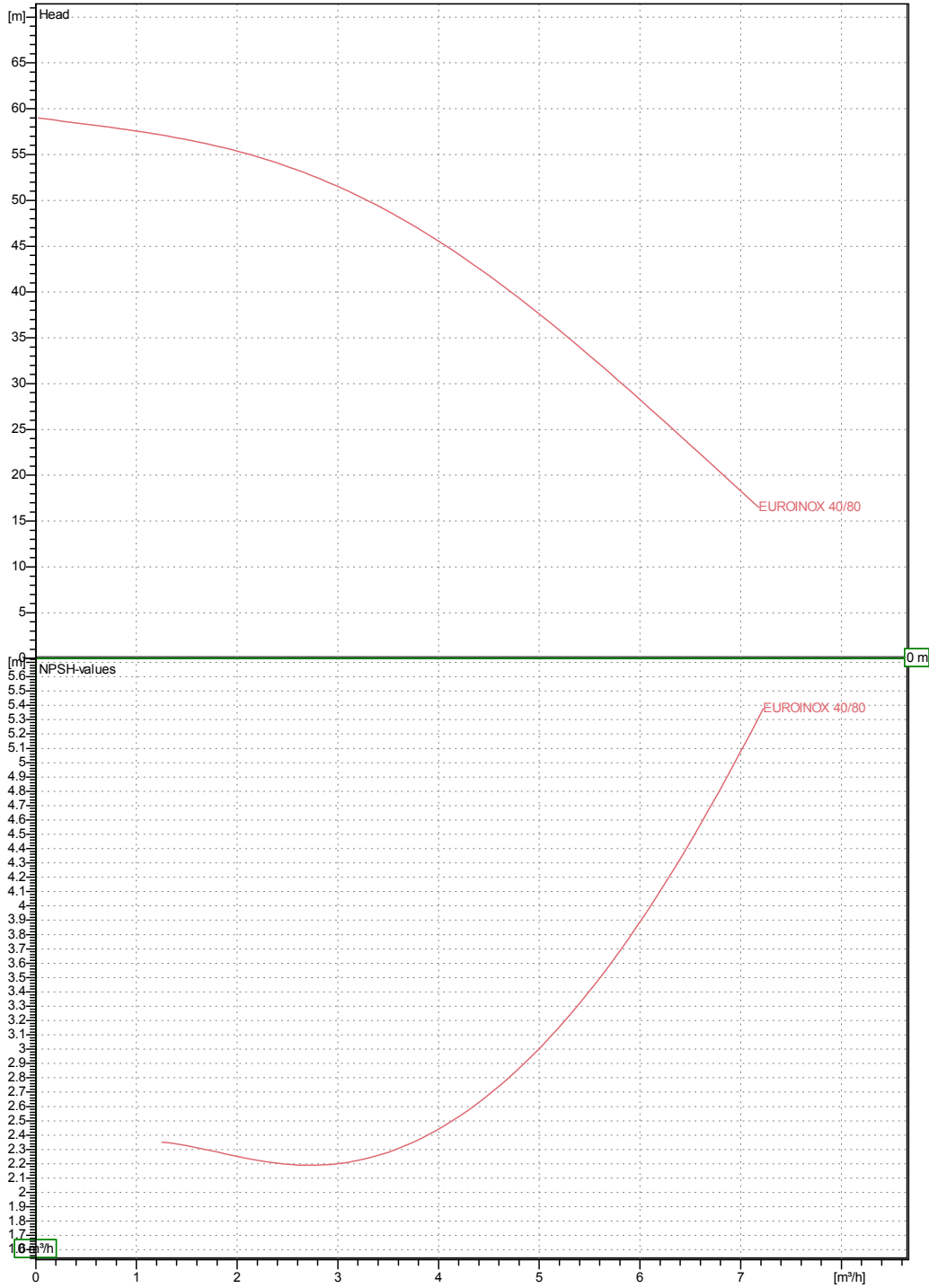
Pump connection

 Suction side : 1" G / 8 bar (800 kPa)
 Discharge side : 1" G / 8 bar (800 kPa)

Society Reference Address Phone Fax E-mail	Receiver	From

EUROINOX 40/80 M

Curve tolerance according to ISO 9906



Hydraulic data (duty point)

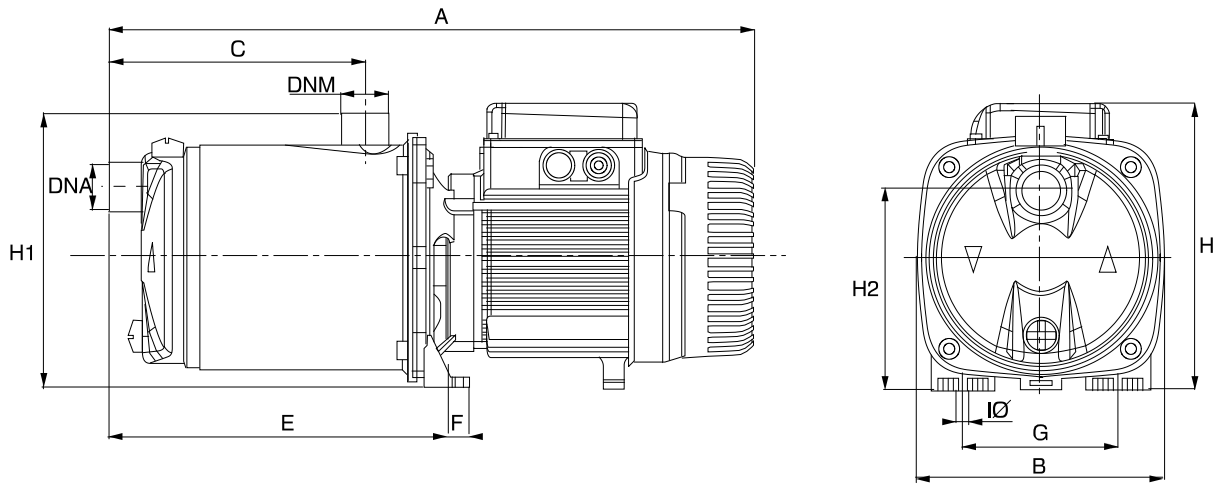
Suction side : 1 " G 8 bar (800 kPa)	Discharge side : 1 " G 8 bar (800 kPa)	Flow : 0 m³/h	Head : 0 m	Rated speed : 2800 rpm
Project	Project ID	Created by	Created on 24/03/2016	

Receiver

From

 Society
 Reference
 Address
 Phone
 Fax
 E-mail

EUROINOX 40/80 M


Dimensions in mm

1	A	458	H2	143		
2	B	174	I Ø	9		
3	C	166				
4	DNA	1" G				
5	DNM	1" G				
6	E	241				
7	F	13.5				
8	G	111				
9	H	203				
10	H1	196				

Pump connection

Suction
 1" G
 8 bar (800 kPa)

Discharge
 1" G
 8 bar (800 kPa)

Project

Project ID

Created by

Created on

24/03/2016