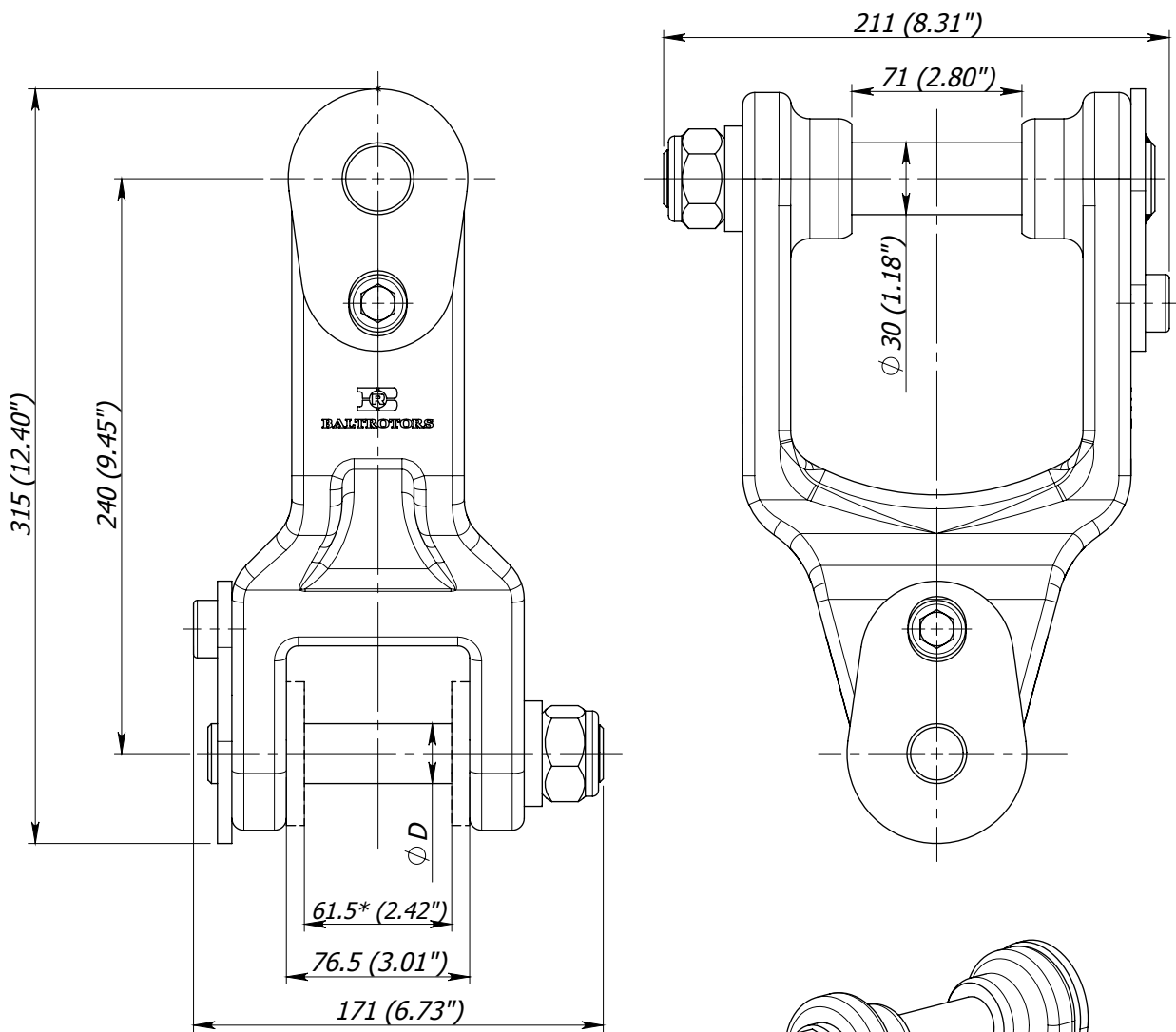


# LINK BR 4



**\* Only by request for rotator GR 30**

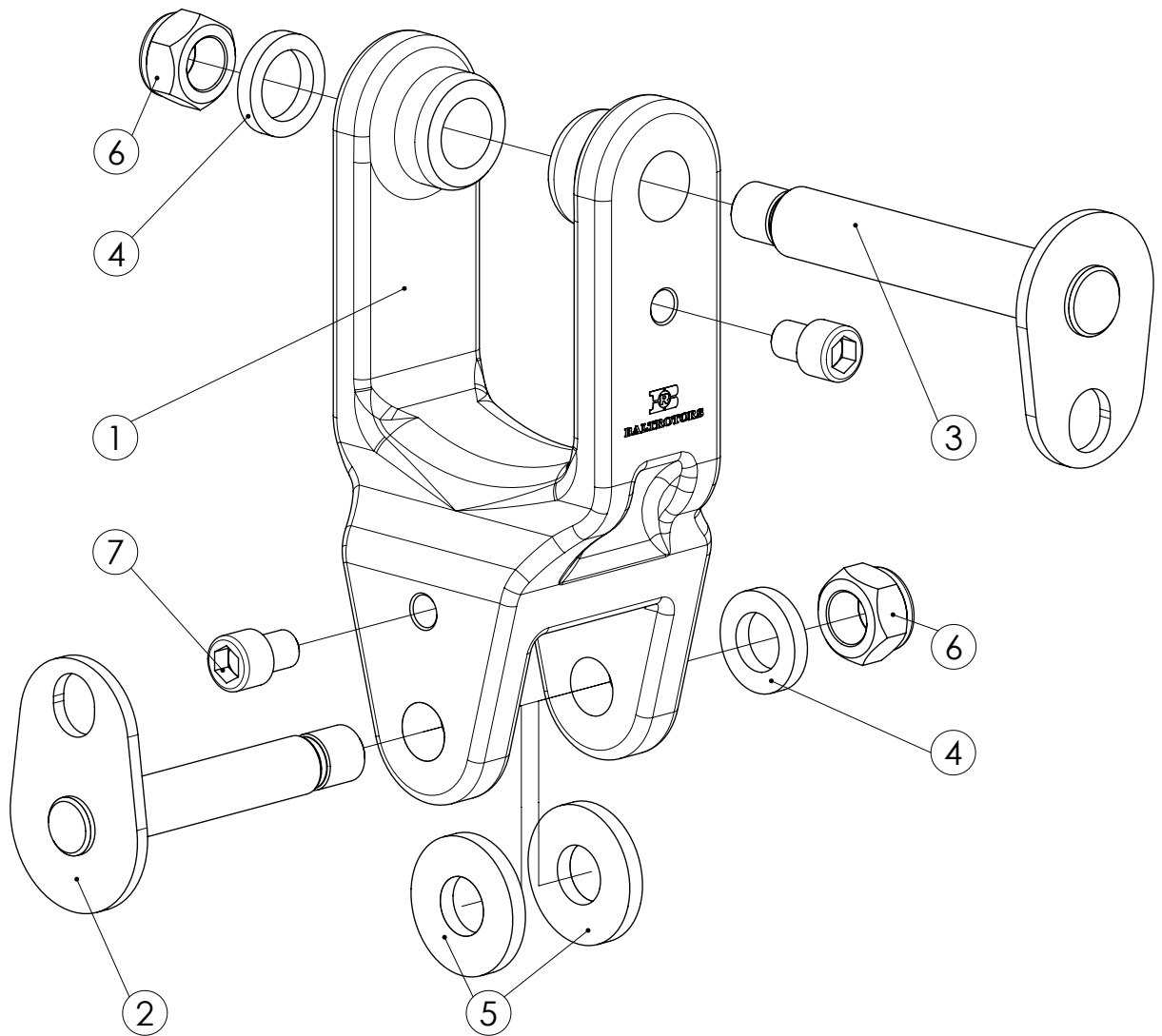
Link	Pin diameter D (mm)
BR 4	25 (0.98")
BR 4-A	30 (1.18")

*Serial number*

- Pin locking nut is tightened with a torque of 120 Nm (89 lb ft)
- Weight - 12.5±1 kg (27.56±2.20 lb)

# LINK BR 4

## List of parts



**Washer (pos. 5) only by request for rotator GR 30.**

Pos.	Part	Title	BR 4	BR 4-A	Notes
1	BR 4.001/25	Link	1	-	
	BR 4A.001/30		-	1	
2	BR 1.01	Pin	1	-	
	BR 1-A.01		-	1	
3	BR 4.01	Pin	1	1	
4	BR 1.003	Washer	1	-	
	BR 1-A.003		1	2	
5	BR 1.003 P	Washer	2	-	
6	M24x1.5	Nut	2	2	
7	MC6S 12.9 M16x20	Screw	2	2	

2007.10.05. Sheet 2 of 2