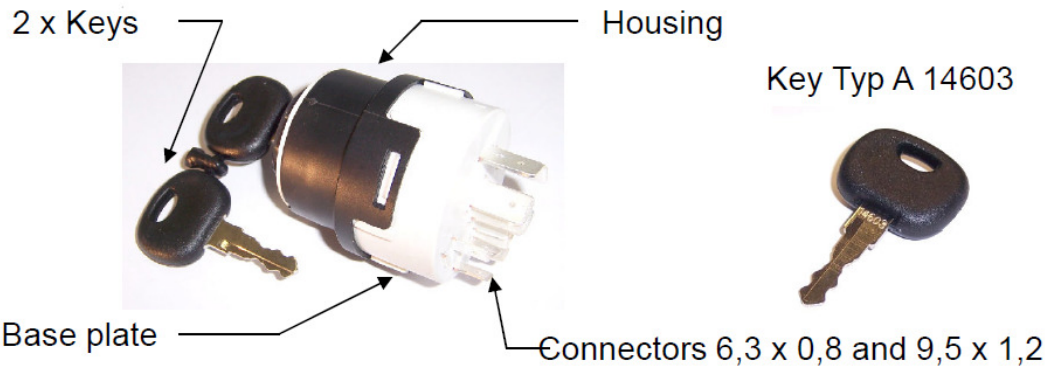




# Technical Specification

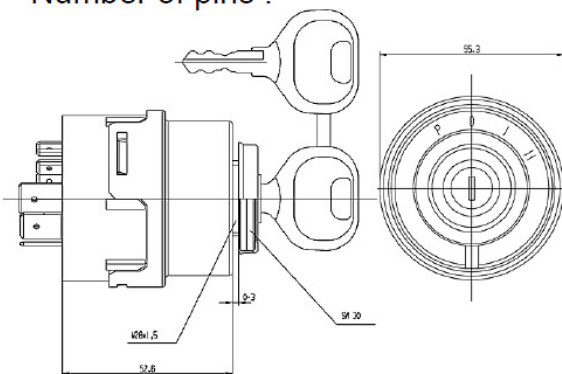
Starter switch

Pneutron-Part No.: 205 006 01



- Water protection :		Lock barrel		
- Operating voltage :		12 V	24 V	Load time
- Maximal Load:	30 – 15/54	35 A	17,5 A	100%
	30 – 19	70 A	30 A	2 min.
	30 – 17	70 A	30 A	1 min.
	30 – 50a	70 A	40 A	short-time
	30 – 50a	18 A	5A	1 min.
- Max. potential drop :			250 mV	
- Number of circuit :			50.000 – mechanical	
- Start retry barrier :			No	
- Pre glow function :			Yes	
- Environmental temperature :			+ 85° C / - 40° C	
- Number of pins :			9	

Circuit diagram



	0	I	II	III
30 -- 15/54		[Blue bar spanning I, II, III]		
30 --19		[Blue bar in I]	[Blue bar in II]	[Blue bar in III]
30 --17		[Blue bar in I]	[Blue bar in II]	[Blue bar in III]
30 --50a		[Blue bar in I]	[Blue bar in II]	[Blue bar in III]