



Technical Specification

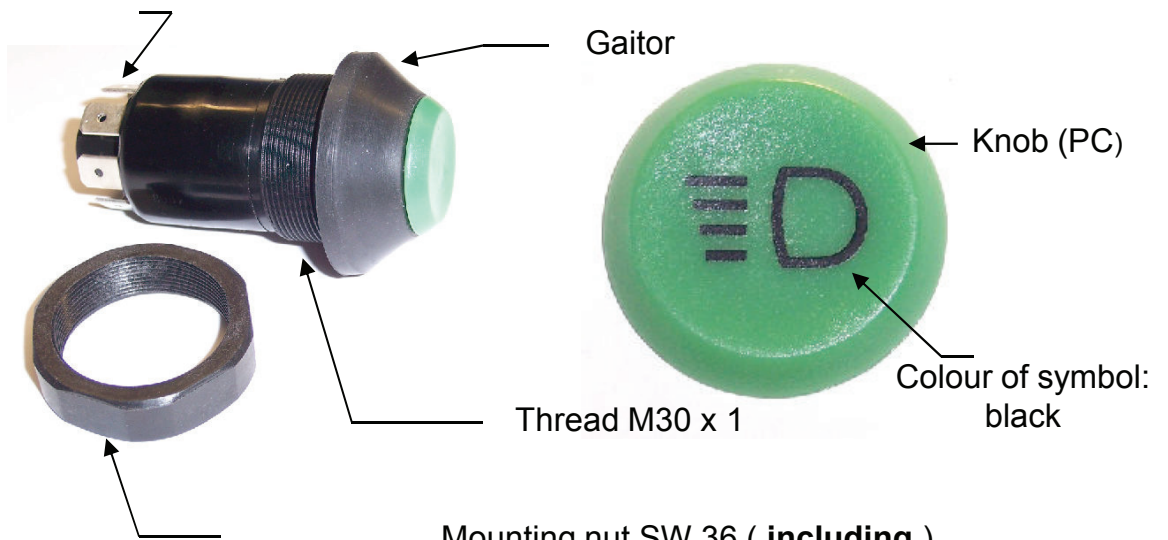
Push Switch with interlock function

Switch: „ Operating light “

Pneutron-Part No.: 11110810XX

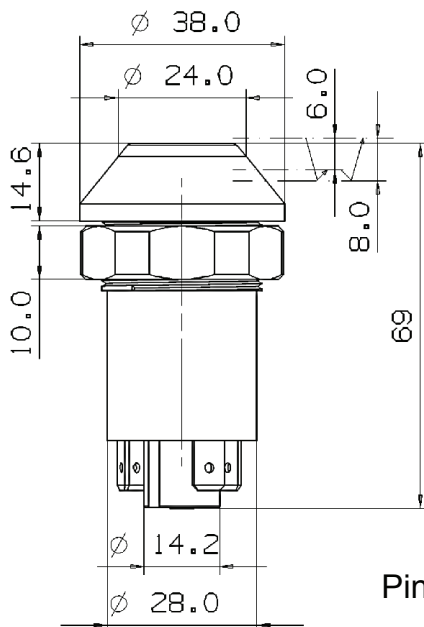
CLAAS / Renault No.: 7700030856

Connector 6,3 x 0,8

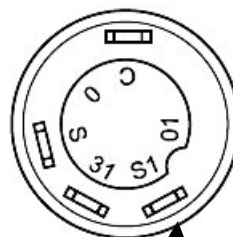


Mounting nut SW 36 (including)

Knob with symbol „Operating light“ (Part No.):	11346620XX
Knob Colour:	green (matt)
Symbol – Colour:	black
Illumination lamp:	12 V – 1,2 W

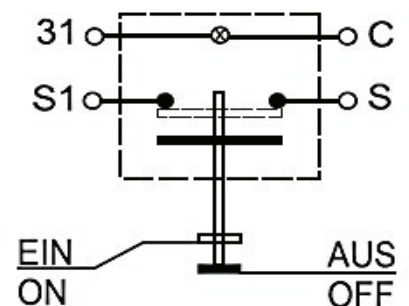


Connectors



Pins 6,3 x 0,8

Circuit diagram



mit Arretierung
with locking