



Technical Specification

Push Switch with interlock function

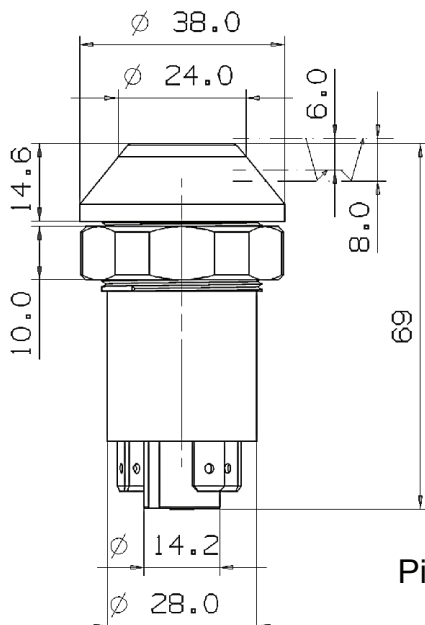
Switch: „Airconditions“

Pneutron-Part No.: 11110360XX

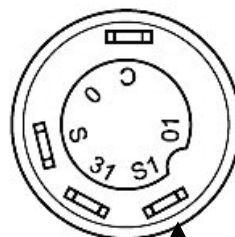
Claas No.: 00148790



Knob with symbol „Aircondition“ (Part No.):	11316630XX
Knob Colour:	yellow (matt)
Symbol – Colour:	black
Illumination lamp:	12 V – 1,2 W

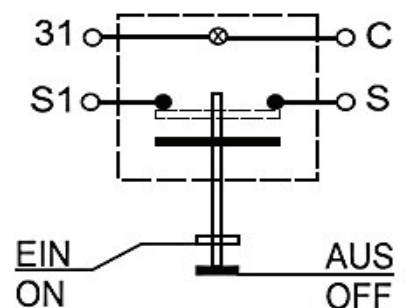


Connectors



Pins 6,3 x 0,8

Circuit diagram



mit Arretierung
with locking